

User Manual

SATA-2221 Series

Description and specs:

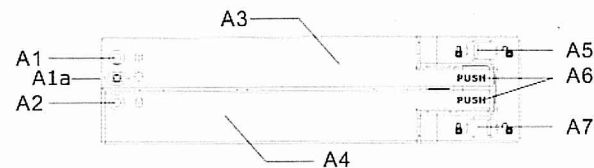
SATA-2221 is for the use of two 2.5" SATA hard disks or SSD mounted on one mini 3.5" form factor drive cage.

Features:

- * Interface: SATA x 2
- * LED indication for HDD and Accessing
- * The dimensions match exactly as a standard 3.5" bay
- * Energy saving on using 2.5" HDD or SSD
- * For the use on desktop, server case, rack mount chassis that is with 3.5" form factor space etc.
- * Complies with SATA-I, SATA-II interface, and maximum transfer rate up to 1.5Gbps for SATA-I & 3.0Gbps for SATA-II.
- * HDD Auto Eject when you open the cover
- * Aluminum material, best heat sink.
- * Dimension: 101.7x 25.8 x 146mm
- * Weight: 0.23 kg

Front Panel

Picture A



A1 : HDD 0 LED---Green: HDD working

Green Off: Not working or no HDD

A1a: Power LED — Green: Power on

A2 : HDD 1 LED — Green On: HDD Working

Green Off: Not working or no HDD

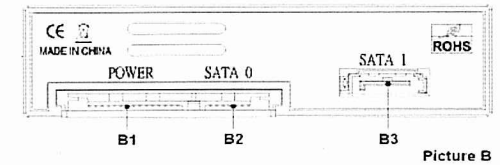
A3 : Upper cover & HDD extractor

A4 : Lower cover & HDD extractor

A5 : Upper HDD Safety Lock (Push right to open & push left to lock)

A6 : Push the rise high position to open the upper & lower cover

A7 : Lower HDD Safety Lock (Push right to open & push left to lock)



B1 : SATA 15pin power connector

B2 : SATA 7pin data connector for HDD 0

B3 : SATA 7pin data connector for HDD 1

Safety Lock

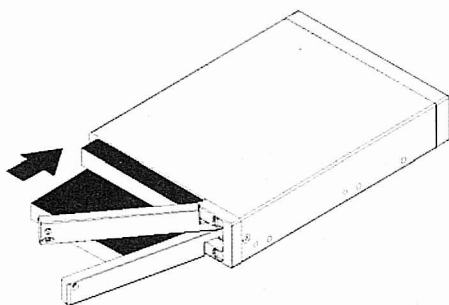
Upper HDD Safety Lock & Lower HDD Safety Lock. (Push right to open & push left to lock). See Picture C.



Picture C

HDD Installing:

Open the upper & lower cover and put the HDD inside the cage. You can install one HDD or two HDDs.



Picture D

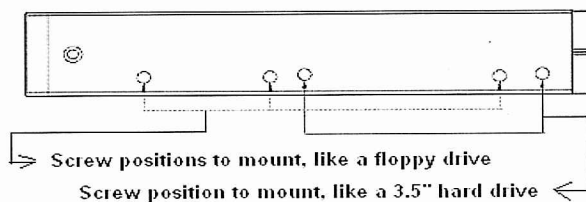
Hardware Installation Procedures

Please follow the following procedures to complete the hardware installation:

- 1) Open the package and take out the product and make sure the product is brand new and all the necessary parts are included.
If damage or shortage occurred, please contact your distributor or where you bought.
- 2) Unlock the upper and lower covers (see picture C), push the lock rightward and open the two covers and then, put the two 2.5" SATA HDD inside the box (See Picture D).
- 3) After both HDDs installed, push both covers back like picture C and

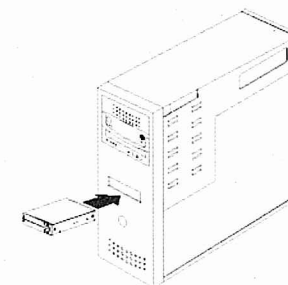
then, push the lock button leftward to lock both covers to secure the HDD inside properly.

- 4) Then, mount the SATA-2221 on the 3.5" space using the included screws to mount it on the device (desktop, case... etc.) and make all the cable connected properly and it is ready for use.
- 5) See the drawing of the two ways to mount SATA-2221 on the device (See Picture F)

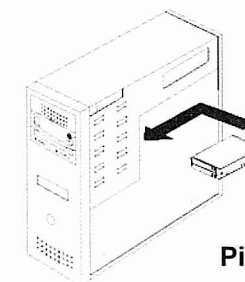


Picture F

- 6) There are two ways to mount the SATA-2221 on the device:
 - Picture E-1) Mount SATA-2221 on the floppy drive bay
 - Picture E-2) Mount SATA-2221 inside the case



Picture E-1



Picture E-2

Reference:

For the SATA-2221 with RAID functions, please refer to our internal use models SATA-2221SUSRI or external use model SATA-2221SUSRE.